

PATENT ABSTRACTS OF JAPAN

(11)Publication number : 11-019104

(43)Date of publication of application : 26.01.1999

(51)Int.Cl. A61F 2/28
A61L 27/00

(21)Application number : 09-174402 (71)Applicant : ITOKAZU KAZUMASA
ASAHI OPTICAL CO LTD

(22)Date of filing : 30.06.1997 (72)Inventor : ITOKAZU KAZUMASA
TOMINAGA YOSHIE

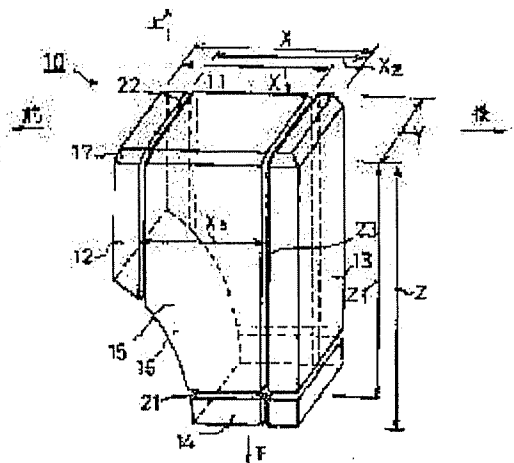
(54) ARTIFICIAL BONE REPLENISHING MATERIAL FOR KNEE TIBIA ROUND PART SINKING FRACTURE

(57)Abstract:

PROBLEM TO BE SOLVED: To comparatively easily cope with difference in the sizes of the bone deficiency parts in a knee tibia round part sinking fracture which occurs during an operation by forming guide grooves for reducing at least one of front and rear direction width, left and right direction width or height on the outer surface of a block body which is nearly a prismatic as a whole.

SOLUTION: The artificial bone replenishing material 10 to be inserted and embedded in the bone deficiency part which occurs after the reshaping of the knee tibia round part fracture is formed of biologically affinity ceramics, which is in the prismatic shape as a whole and provided with an upper surface 11, the front one 12, the rear one 13, the lower one 14 and the left and right side ones 15.

Besides, a circular recessed surface 16 being similar to the shape of a knee tibia front side is formed in the lower part of the front surface 12 and chamfering 17 is executed in an upper end edge part. Then, the guide groove 21 which is orthogonally crossed with a height direction is formed on the peripheral surface of the lower part except the circular recessed surface 16 in the artificial bone replenishing material 10 and the guide grooves 22 and 23 are formed on the front surface 12 and the rear surface 13 in parallel in front and rear parts. Then,



the guide grooves 21-23 becomes a guide at the time of amputating so that an amputation is easily executed.

v